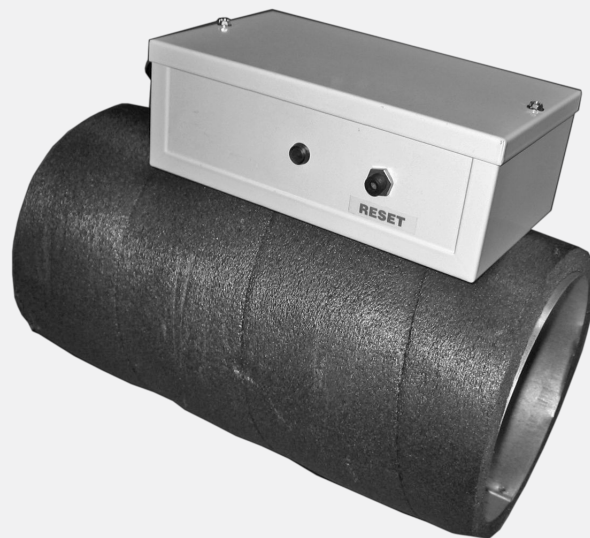




Installation regulations

Postheater and extra preheater
English

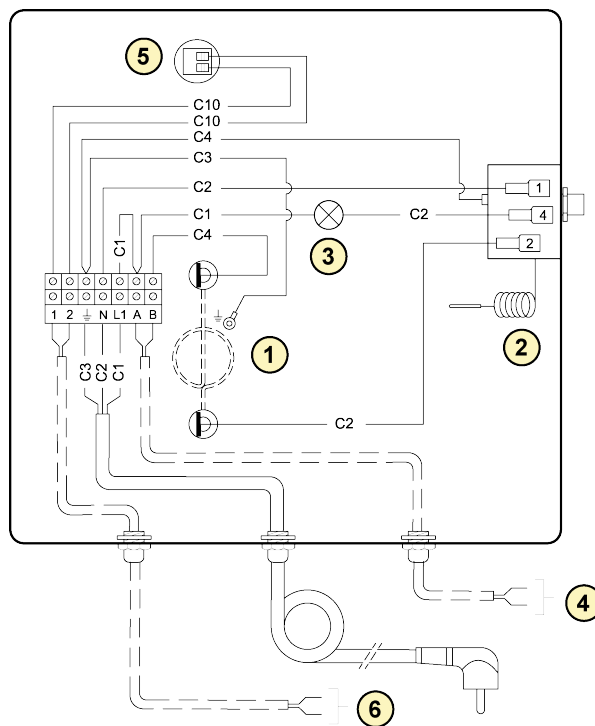


Postheater and extra preheater general

Renovent Excellent and Renovent Sky

The extra preheater or postheater (only possible for Plus version) are electrically connected to connector X14 or X12. Just for a postheater there is also a temperature sensor that must be connected to no. 7 and 8 of the 9-pole connector that is only installed in the Plus version. When using an extra preheater together with a Renovent Sky 150, step number 11 is applied (and for postheater also step number 12); when using an extra preheater together with a Renovent Excellent 180, step number 12 is applied and for a postheater step number 13 & 14. All sets are delivered including 2 adapters Ø125-Ø160 and a connection piece Ø125.

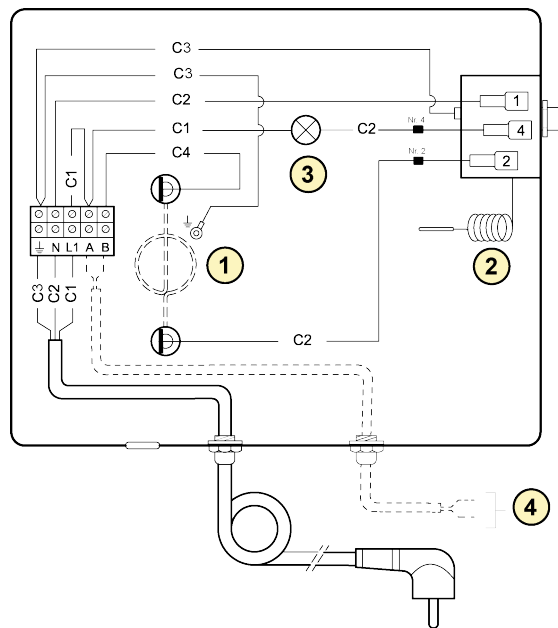
Postheater set no 310730 (Sky 150 & Excellent 180)



- 1 = Heating coil
- 2 = Maximum safety with manual reset
- 3 = LED maximum safety; lights up when activated
- 4 = To PCB connector X14
- 5 = Temperature sensor
- 6 = To the 9-pole screw connector nr. 7 & nr. 8

C1 = brown
C2 = blue
C3 = green/yellow
C4 = black
C10 = yellow

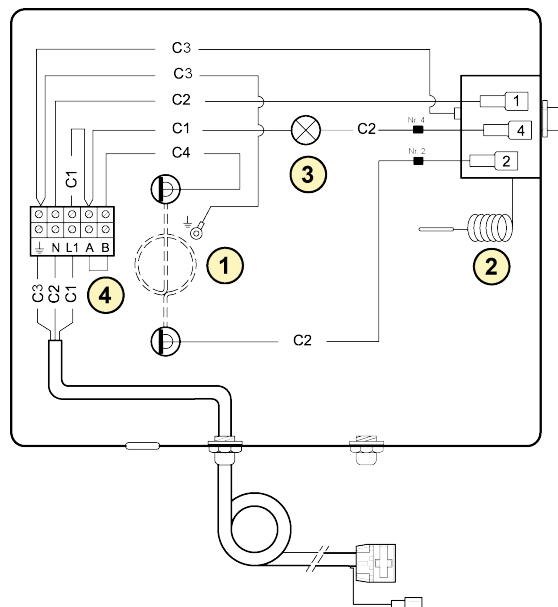
Extra preheater set no 310683 (Sky 150)



- 1 = Heating coil
- 2 = Maximum safety with manual reset
- 3 = LED maximum safety; lights up when activated
- 4 = To PCB connector X14

C1 = brown
C2 = blue
C3 = green/yellow
C4 = black

Preheater set no 310740 (Renovent Excellent 180)

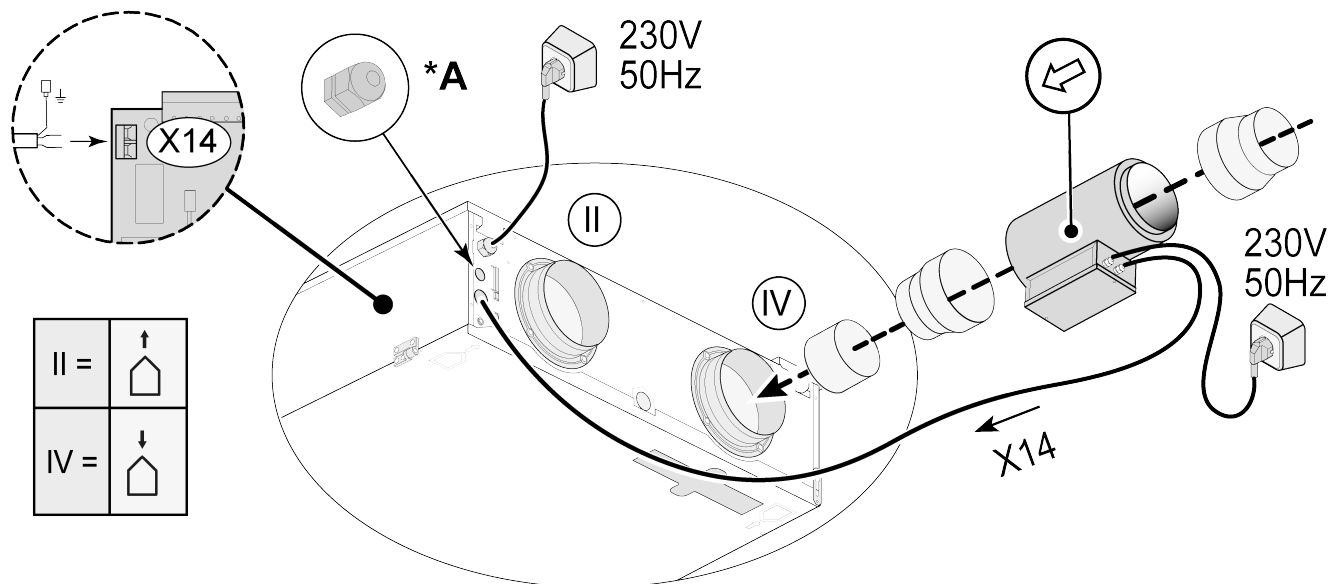


- 1 = Heating coil
- 2 = Maximum safety with manual reset
- 3 = LED maximum safety; lights up when activated
- 4 = Connection (factory mounted)

C1 = brown
C2 = blue
C3 = green/yellow
C4 = black

Extra preheater and postheater with Sky 150

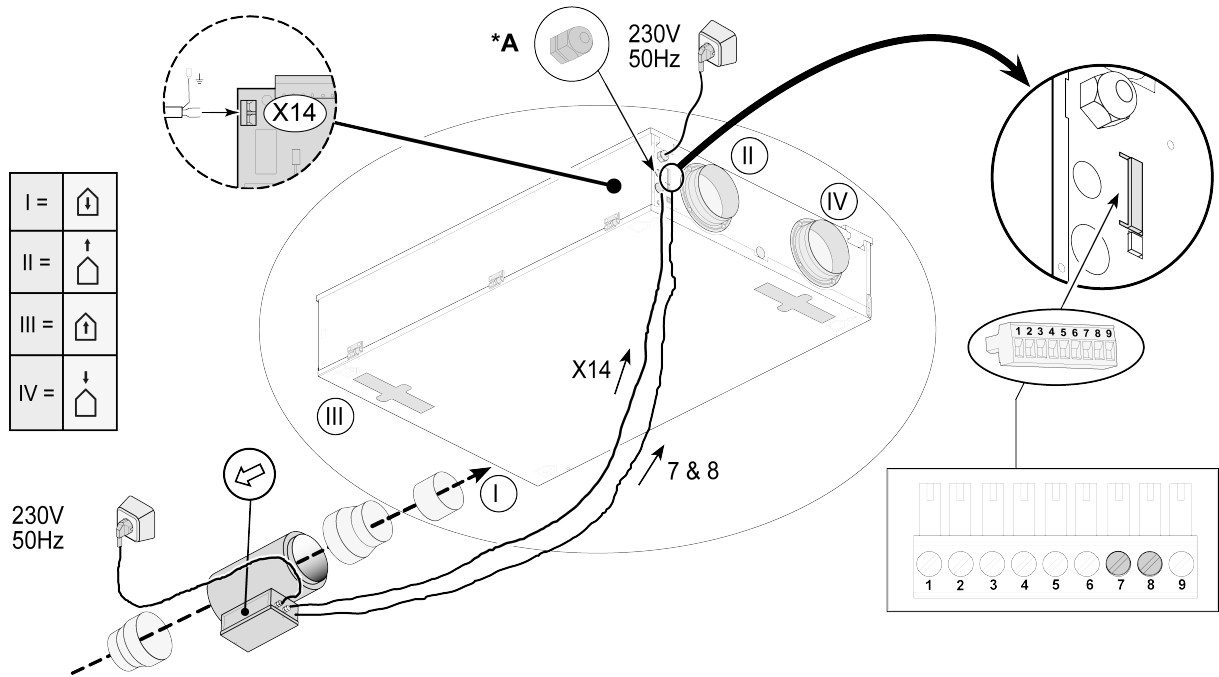
Connection extra preheater set 310683 to Sky 150





Setting step number no. 11

*A = The strain reliever to be installed by the installer (not supplied with the appliance) for feeding the 230 volt cable to the extra preheater.

Connection post heater set 310730 to Renovent Sky 150



 Setting step number no. 11 & no. 12

 Connecting temperature sensor to connector no. 7 and no. 8.

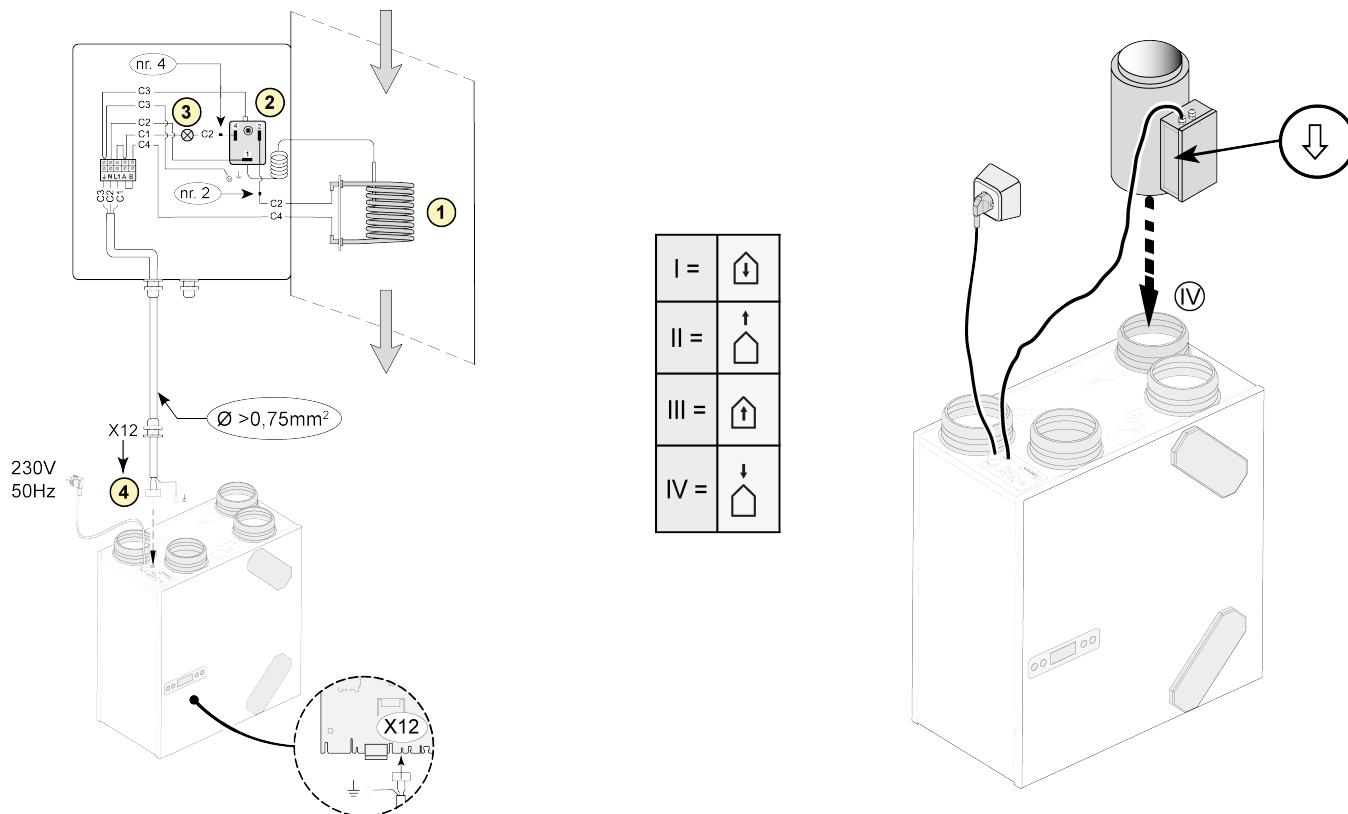
*A = The strain reliever to be installed by the installer (not supplied with the appliance) for feeding the 230 volt cable to the postheater.

Step numbers setting Sky 150

Step No.	Description	Factory setting	Adjusting range
11	Heater	0	0 = no additional heater 1 = additional preheater 2 = postheater
12	Temperature postheater	21 °C	15,0 °C - 30,0 °C

Postheater and preheater with Renovent Exc. 180

Connection preheater set 310740 to Renovent Excellent 180



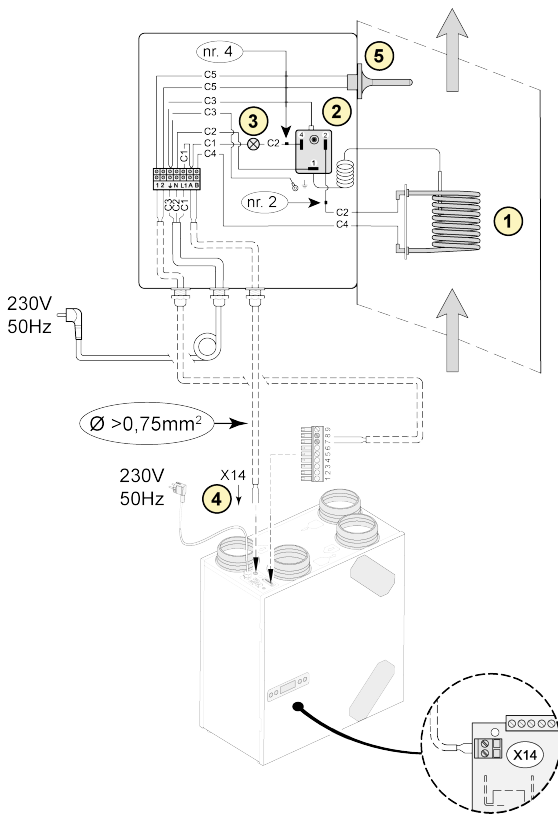
Setting stepnumber no. 12

The strain reliever to be installed by the installer for feeding the 230 volt cable to the postheater or preheater.

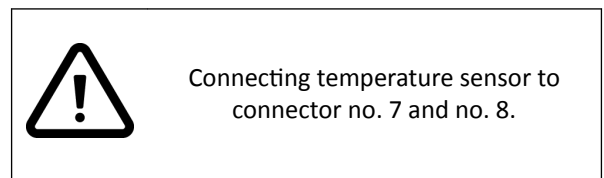
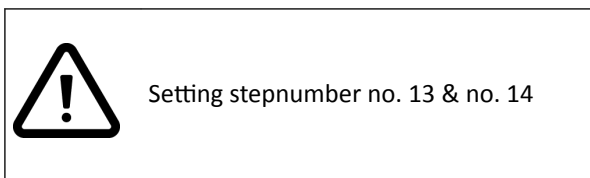
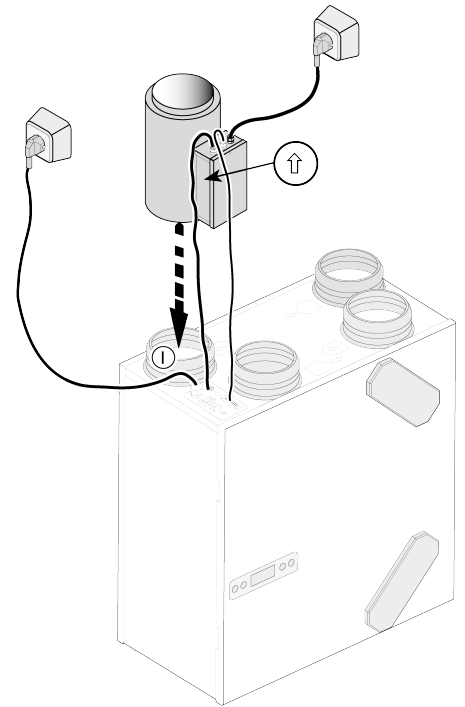
- 1 = Heating coil
- 2 = Maximum safety with manual reset
- 3 = LED maximum safety; lights up when activated
- 4 = To PCB connector X12

- C1 = brown
- C2 = blue
- C3 = green/yellow
- C4 = black

Connection postheater set 310730 to Renovent Excellent 180



I =	↓
II =	↑
III =	↑
IV =	↓



The strain reliever to be installed by the installer (not supplied with the appliance) for feeding the 230 volt cable to the postheater.

- 1 = Heating coil
- 2 = Maximum safety with manual reset
- 3 = LED maximum safety; lights up when activated
- 4 = To PCB connector X14
- 5 = Temperature sensor
- 6 = To the 9-pole screw connector nr. 7 & nr. 8

C1 = brown
C2 = blue
C3 = green/yellow
C4 = black
C5 = yellow

Step numbers setting Renovent Excellent 180

Step No.	Description	Factory setting	Adjusting range
12	Preheater connected	OFF	Off = switched off ON = switched on
13	Heater	0	0 = no additional heater 1 = preheater 2 = postheater
14	Tempatature postheater	21 °C	15,0 °C - 30,0 °C

Technical information and service

Technical information post- and preheater	
Supply voltage	230 V/ 50 Hz
Weight	2,5 kg
Duct diameter	Ø160 mm
Rated power	1000 W
Rated current	4,5 A

Service

When ordering parts, in addition to the article code number, please state the type of the heater, the heat recovery appliance, the serial number, the year of production and the name of the part.

Description	Article code
Maximum safety	: 531528
Heating coil	: 531463
Mains cable with plug 230V (set 310730 & 310683)	:540919
Mains cable with edge connector 230V (set 310740)	: 073973



Brink Climate Systems BV
P.O. Box 11 NL-7950AA Staphorst
T +31 (0) 522 46 99 44

E info@brinkclimatesystems.com
www.brinkclimatesystems.com
www.brinkairforlife.com