



Air for life

Technical Data Sheet

Flair 400 2-2

English



Contents

1 Delivery.	3
1.1 Delivery size.	3
2 Version.	4
2.1 Technical information	4
2.2 Connections and dimensions.	5
2.3 Exploded view of appliance.	7
3 Service.	8
3.1 Exploded view.	8
3.2 Service articles.	9
4 Conformity declaration.	11
5 ERP values	12
6 Recycling.	14

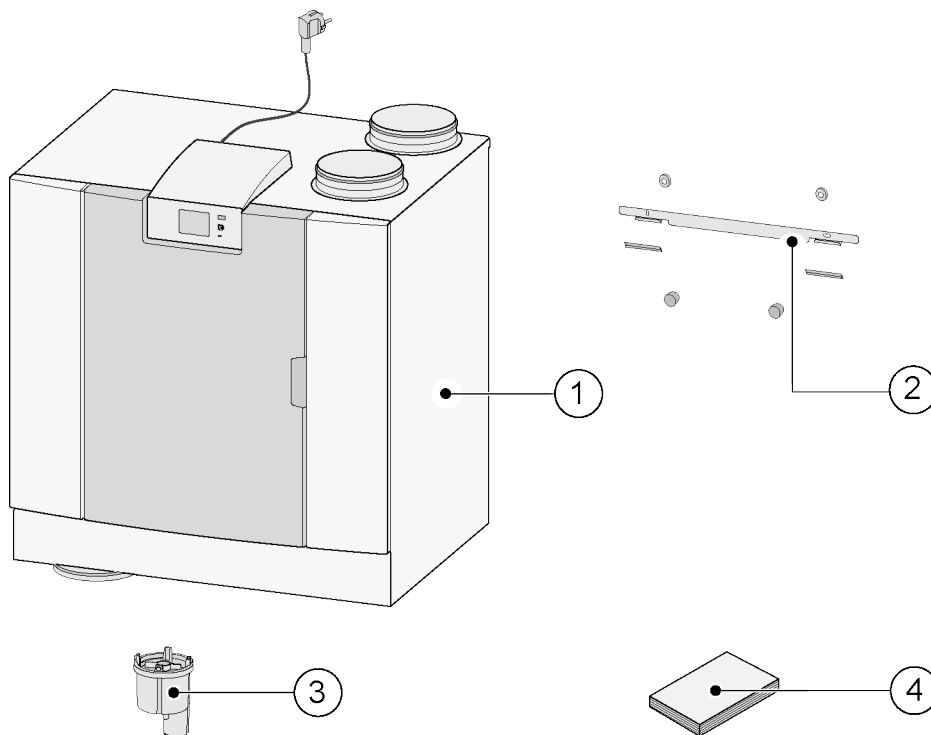
1 Delivery

1.1 Delivery size

Before installation of the heat recovery appliance is started, check that it has been supplied in complete and undamaged condition.

The delivery size of the heat recovery appliance type Flair consists of the following components:

1. Heat recovery appliance
2. Wall mounting bracket consisting of:
 - 1x mounting bracket
 - 2x protective caps
 - 2x rubber strip
 - 2x rubber rings
3. Siphon
4. Documentation set consisting of:
 - 1x installation instructions
 - 1x occupant's instructions



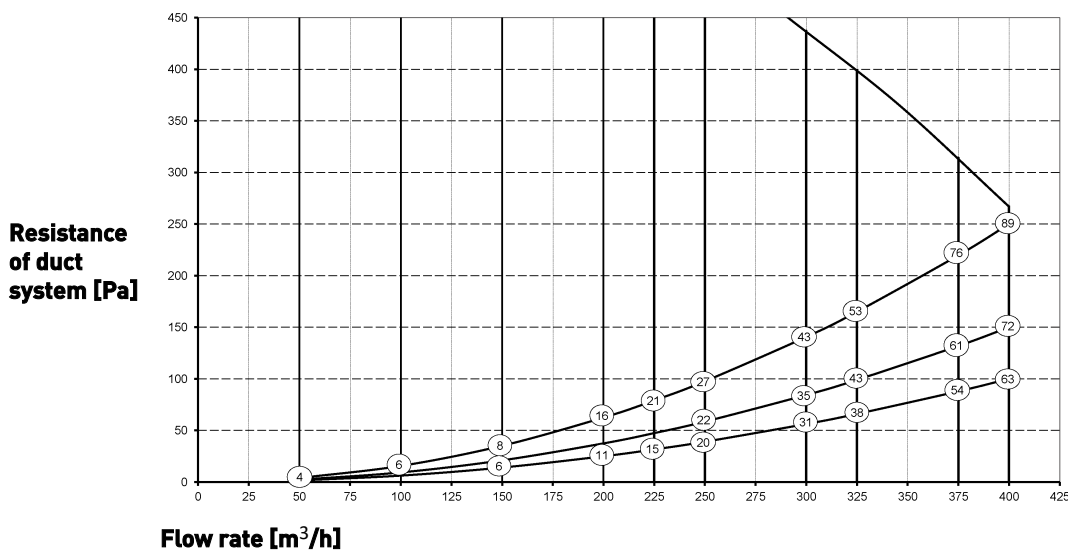
2 Version

2.1 Technical information

Flair 400 2-2										
Supply voltage [V/Hz]	230V/50Hz									
Dimensions (w x h x d) [mm]	750 x 710 x 560									
Duct diameter [mm]	ø180									
Ext. diameter condensate discharge [mm]	ø32									
Weight [kg]	38.5									
Filter class	ISO Coarse 60% (ISO ePM1.0 50% for the air supply optional)									
Fan setting (factory setting)	0	1		2		3		max		
Factory setting [m³/h]	50	100		200		300		400		
Permissible resistance of duct system [Pa]	2	4	6	16	25	63	56	141	100	250
Rated power (excl. preheater) [W]	7.6	7.8	10.3	11.5	23.0	31.4	62.5	87.0	126.6	177.9
Rated current (excl. preheater) [A]	0.12	0.12	0.15	0.16	0.25	0.33	0.58	0.77	1.01	1.38
Max. rated current (incl. preheater switched on) [A]	6									
Rated power preheater [W]	1000									
Cos φ	0.270	0.272	0.300	0.310	0.369	0.410	0.470	0.493	0.545	0.560
Sound power										
Ventilation capacity [m³/h]					150	250	350	400		
Sound power level Lw(A)	Static pressure [Pa]				25	50	100	100		
	Casing radiation [dB(A)]				37	43,5	52	55		
	Duct 'From dwelling' [dB(A)]				43,5	46,5	51	61		
	Duct 'To dwelling' [dB(A)]				50	58	69,5	71		

*) Duct noise including end correction

In practice the value may differ by 1dB(A) through measurement tolerances.



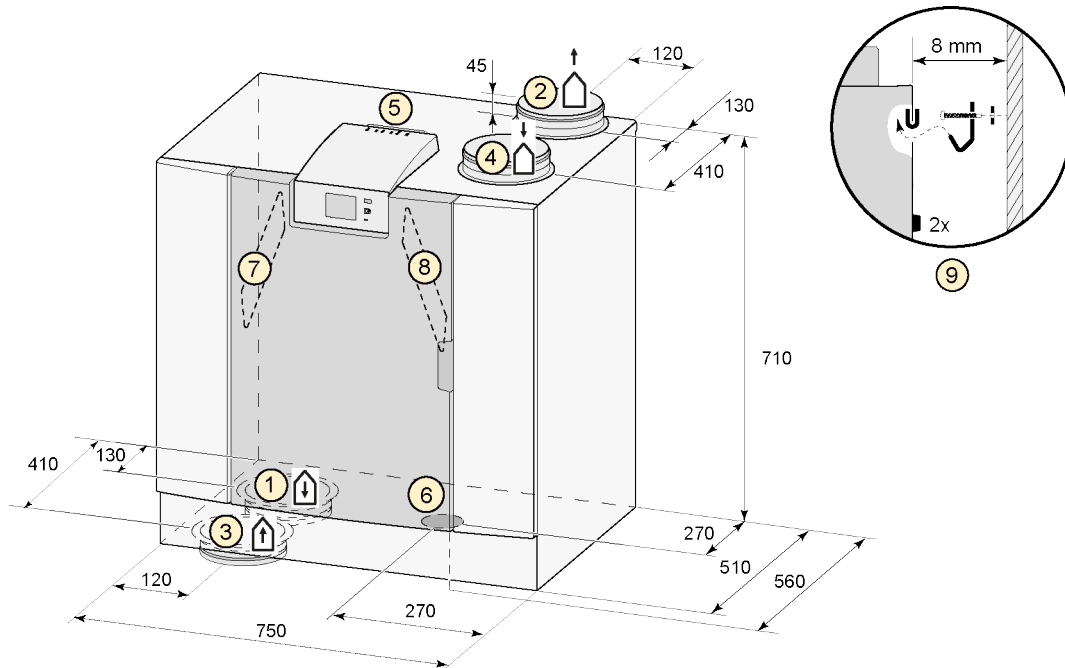
Note:

The stated value in the circle is the capacity (in Watt) per fan.

2.2 Connections and dimensions

The Flair appliance is available in a left-hand and right-hand version. With a left-hand version the “warm” connections (from dwelling 3 and to dwelling 1) are on the left-hand side of the appliance; the condensate discharge is then mounted at the right-hand opening below the appliance. With a right-hand version the “warm” connections (1 & 3) are on the right-hand side of the appliance.

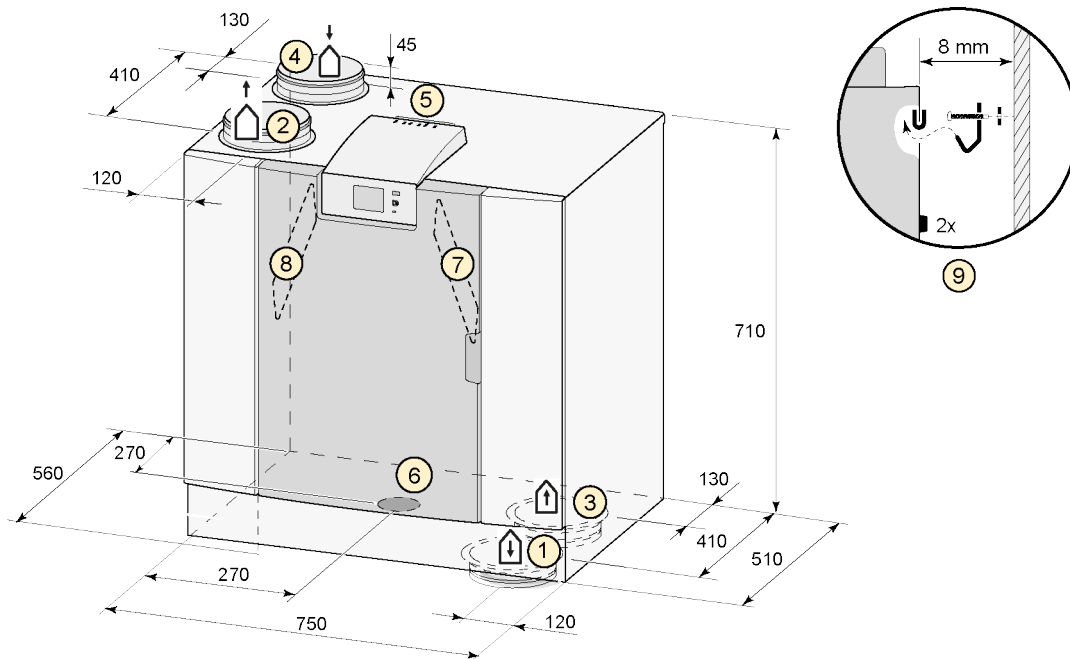
Left-hand version



All dimensions in millimeters. Diameter of all collars is 180 mm

1	Supply air	
2	Exhaust air	
3	Extract	
4	Outdoor air	
5	Electrical connections	
6	Siphon connection	
7	Extract air filter	
8	Supply air filter	
9	Mounting bracket	

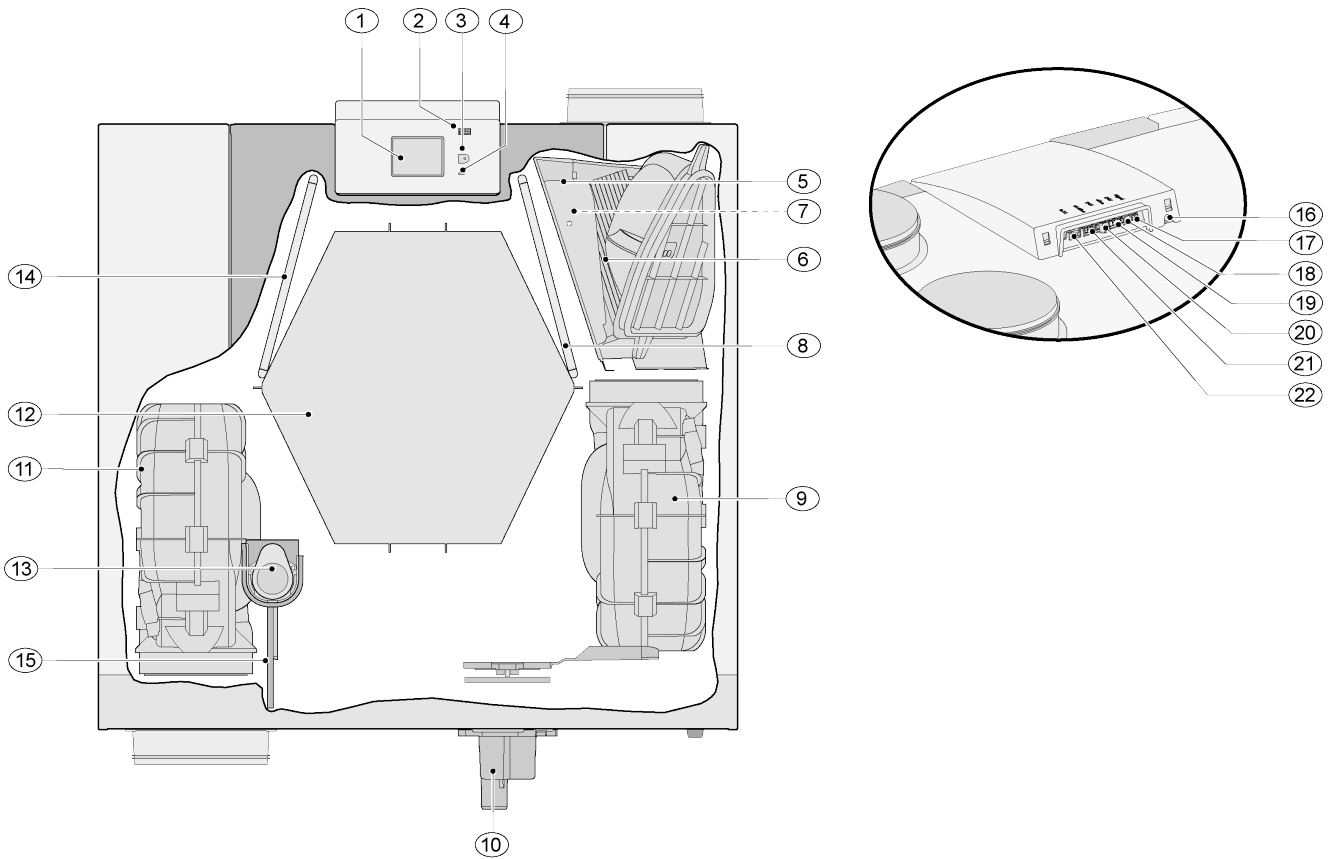
Right-hand version



All dimensions in millimeters. Diameter of all collars is 180 mm

1	Supply air	
2	Exhaust air	
3	Extract	
4	Outdoor air	
5	Electrical connections	
6	Siphon connection	
7	Extract air filter	
8	Supply air filter	
9	Mounting bracket	

2.3 Exploded view of appliance



The appliance shown above is a left-hand version: in the case of a right-hand version, the connector of the preheater, bypass valve and the siphon connector are installed in mirror image!

1	Touchscreen	12	Heat exchanger
2	USB connector (X13)	13	Motor bypass valve
3	Service connector	14	Exhaust air filter
4	LED indicator	15	Bypass valve
5	Maximum protection preheater	16	Power cable 230 volt
6	Preheater	17	Relay output (X19)
7	Temperature sensor	18	24 volt connector (X18)
8	Supply filter	19	eBus connector (X17)
9	Exhaust fan	20	24 volt connector (X16)
10	Siphon	21	Modbus/ internal bus connector (X15)
11	Supply ventilator	22	Multiple switch connector (X14)

3 Service

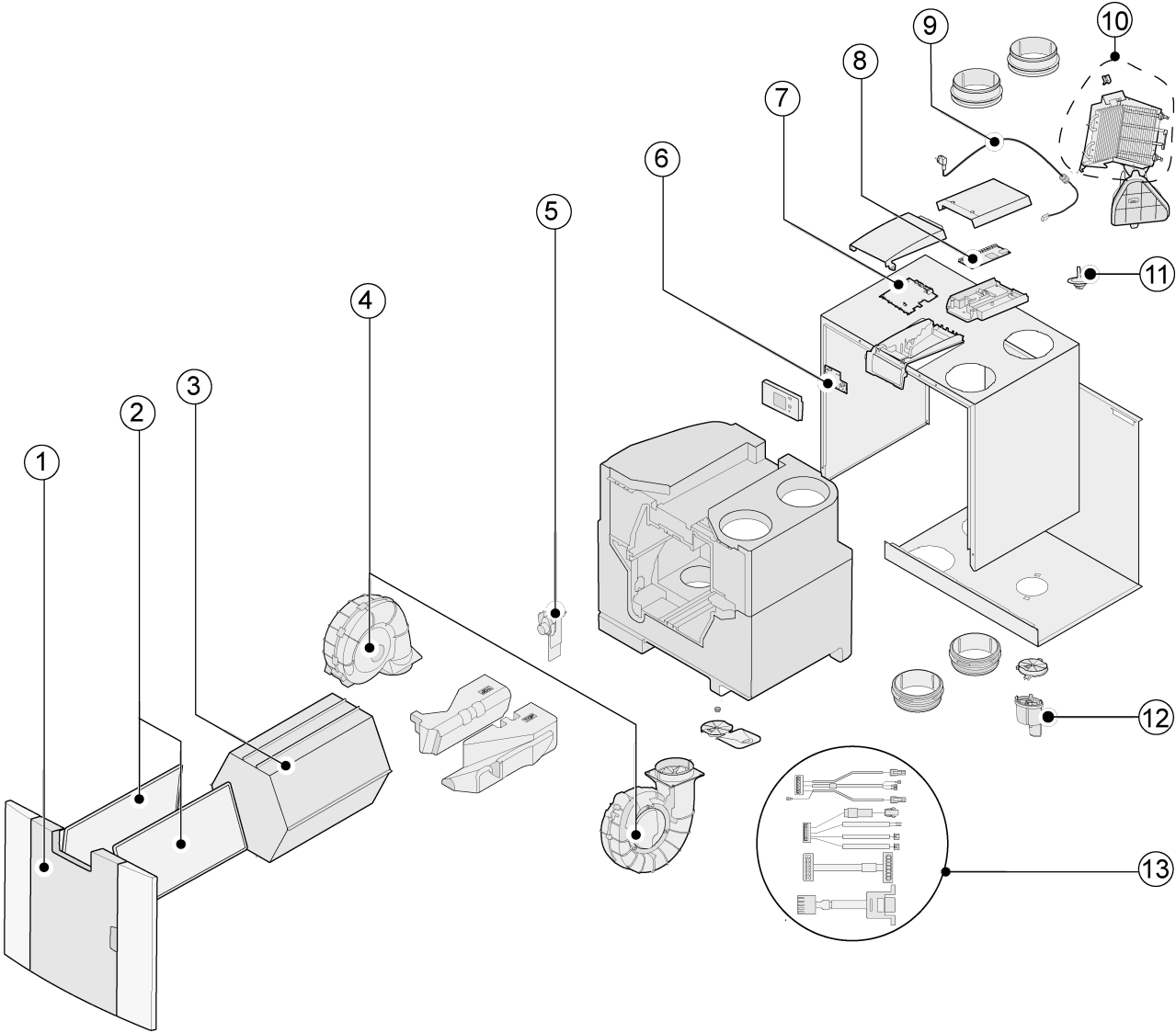
3.1 Exploded view

When ordering parts, in addition to the article code number (see exploded view), please state the heat recovery appliance type, the serial number, the year of production and the name of the part:

N.B.: Appliance type, serial number and year of production are stated on the identification plate behind the plastic front panel on the appliance.

Example	
Appliance type	Flair 400 2-2
Serial number	431000220201
Year of production	2023
Part	Fan
Article code	532770
Quantity	1

3.2 Service articles



No.	Article description	Article code
1	Front panel complete	532804
2	Filters (2 items) ISO Coarse 60%	532716
3	Heat exchanger	532754
4	Fan (1 item)	532770
5	Bypass valve Motor	531832 531778
6	Display pcb UBP-2	532752
7	Appliances manufactured before 01-01-2023 : Basic pcb UWA2-B + display	532750
	Appliances manufactured after 01-01-2023 : Basic pcb UWA2-B	532966
8	Plus pcb UWA2-E (only applicable with Plus version)	532751
9	Mains plug and cable 230 V *	532756
10	Internal preheater incl. maximum security	532761
11	Temperature sensor NTC 10K	531775
12	Condensation discharge	532762
13	Cable set	532767

* The power cable is fitted with a circuit board connector. When replacing it, always order a replacement mains cable from Brink.
To prevent dangerous situations, a damaged mains connection can only be replaced by a qualified expert.

5 ERP values

Technical information sheet Flair 400 2-2 in accordance with Ecodesign (ErP), no. 1254/2014 (Annex IV)					
Manufacturer:		Brink Climate Systems B.V.			
Model:		Flair 400 2-2			
Climate zone	Type of control	SEC Value in kWh/m ² /a	SEC Class	Annual electricity consumption (AEC) in kWh	Annual heating saved (AHS) in kWh
Average	manual	-40,68	A	258	4646
	clock control	-41,33	A	237	4658
	1x sensor (RV/CO ₂ /VOC)	-42,54	A+	199	4684
	2 or more sensors (RV/CO ₂ /VOC)	-44,65	A+	135	4735
Cold	manual	-79,74	A+	795	9088
	clock control	-80,50	A+	774	9113
	1x sensor (RV/CO ₂ /VOC)	-81,96	A+	736	9163
	2 or more sensors (RV/CO ₂ /VOC)	-84,56	A+	672	9263
Hot	manual	-15,68	E	213	2101
	clock control	-16,26	E	192	2106
	1x sensor (RV/CO ₂ /VOC)	-17,33	E	154	2118
	2 or more sensors (RV/CO ₂ /VOC)	-19,16	E	90	2141
Type of ventilation unit:		Balanced residential ventilation appliance with heat recovery			
Fan:		EC - fan with infinitely variable control			
Type of heat exchanger:		Recuperative plastic cross-counterflow heat exchanger			
Thermal efficiency		92 %			
Maximum flow rate:		400 m ³ /h			
Maximum rated power:		178 W			
Sound power level L _{wa} :		50 dB(A)			
Reference flow rate:		280 m ³ /h			
Reference pressure:		50 Pa			
Specific Power Input (SEL):		0,17 Wh/m ³			
Control factor:		1.0 in combination with multiple switch			
		0.95 in combination with clock control			
		0.85 in combination with 1 sensor			
		0.65 in combination with 2 or more sensors			
Leakage*	Internal	0.6 %			
	External	0.9 %			
Position dirty filter indication:		On the display of the appliance / on the multiple switch (LED) / on the Brink Air Control. Attention! For optimal energy efficiency and a proper operation, a regular filter inspection, cleaning or replacement is necessary.			
Internet address for Assembly instructions:		https://www.brinkclimatesystems.nl/support/downloads			
Bypass:		Yes, 100% Bypass			

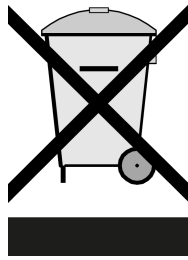
* Measurements executed by TZWL according to the EN 13141-7 standard

Classification from 1 January 2016	
SEC class ("Average climate zone")	SEC in kWh/m ² /a
A+ (Most efficient)	SEC < -42
A	-42 ≤ SEC < -34
B	-34 ≤ SEC < -26
C	-26 ≤ SEC < -23
D	-23 ≤ SEC < -20
G (Least efficient)	-20 ≤ SEC < -10

6 Recycling

Recycling

Sustainable materials are used in the manufacture of this appliance. The packaging should be disposed of in a responsible manner and in accordance with governmental regulations.





Brink Climate Systems B.V.

Wethouder Wassebaliestraat 8, NL-7951SN Staphorst

T: +31 (0) 522 46 99 44

E. info@brinkclimatesystems.nl

www.brinkclimatesystems.nl